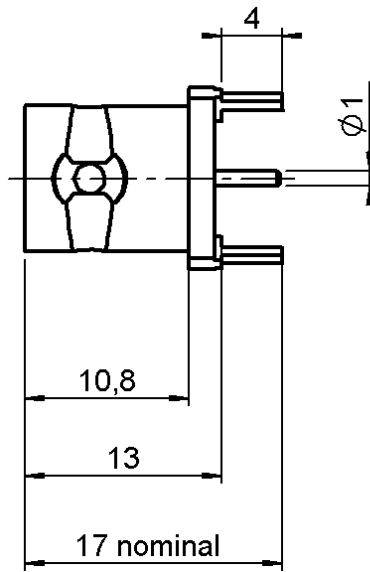
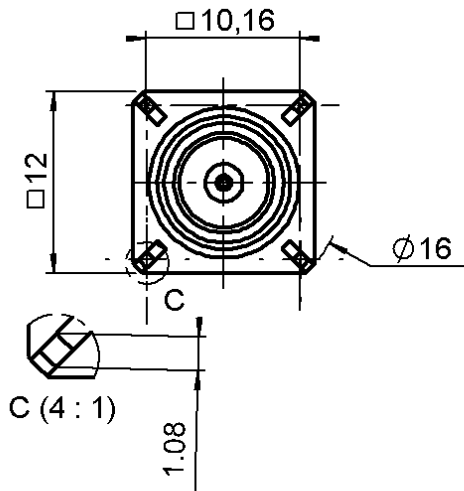


**STRAIGHT JACK RECEPTACLE FOR PCB**

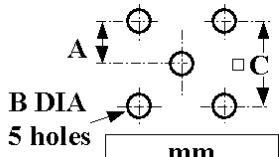
**R142.426.020**

**SOLDER LEGS**

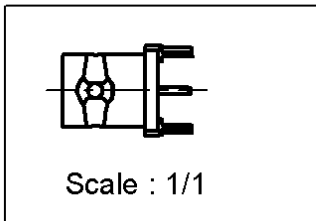
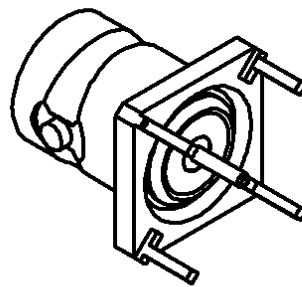
Series : BNC 75



**PANEL CUT OUT**



	mm	
	Maxi	mini
A	5.13	5.03
B	1.4	1.2
C	10.21	10.11



All dimensions are in mm.



COMPONENTS	MATERIALS	PLATINGS (µm)
BODY	BRASS	NICKEL 2
CENTER CONTACT	BERYLLIUM COPPER	GOLD 1 OVER NICKEL 2
OUTER CONTACT	-	-
INSULATOR	PTFE	-
GASKET	-	-
OTHERS PARTS	-	-
-	-	-
-	-	-

Issue : 0348 B

In the effort to improve our products, we reserve the right to make changes judged to be necessary.



**STRAIGHT JACK RECEPTACLE FOR PCB**

**R142.426.020**

**SOLDER LEGS**

Series : **BNC 75**

**PACKAGING**

**SPECIFICATION**

Standard	Unit	Other
<b>100</b>	<b>W option</b>	<b>Contact us</b>

**ST 040.150.041-100 A**

**ELECTRICAL CHARACTERISTICS**

**ENVIRONMENTAL**

Impedance **75** Ω  
 Frequency **0-1.5** GHz  
 VSWR **1.06** + **0.006** x F(GHz) Maxi  
 Insertion loss **.025\*** √F(GHz) dB Maxi  
 RF leakage - ( **57** - F(GHz)) dB Maxi  
 Voltage rating **500** Veff Maxi  
 Dielectric withstanding voltage **1500** Veff mini  
 Insulation resistance **5000** MΩ mini

Operating temperature **-65/+165** ° C  
 Hermetic seal **NA** Atm.cm3/s  
 Panel leakage **NA**

**OTHERS CHARACTERISTICS**

Assembly instruction **NA**

Others :  
 \* Coaxial Transmission Line Only

**MECHANICAL CHARACTERISTICS**

Center contact retention  
 Axial force – Mating end **18** N mini  
 Axial force – Opposite end **18** N mini  
 Torque **NA** N.cm mini

Recommended torque  
 Mating **NA** N.cm  
 Panel nut **NA** N.cm

Mating life **500** Cycles mini  
 Weight **4.122** g

Issue : 0348 B

In the effort to improve our products, we reserve the right to make changes judged to be necessary.

